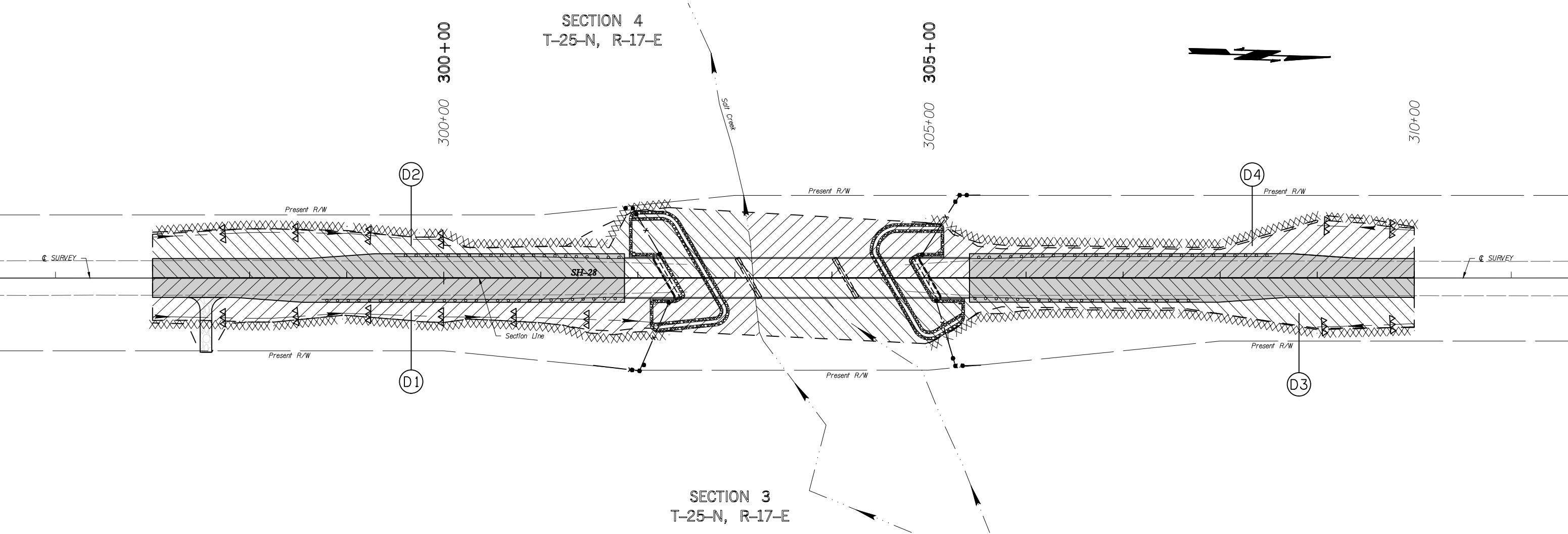


DESCRIPTION	REVISIONS	DATE

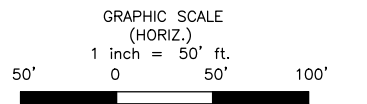
SECTION 4
T-25-N, R-17-E



SECTION 3
T-25-N, R-17-E

LEGEND

-  SILT DIKE
-  SILT FENCE
-  DISTURBED AREA



DRAINAGE AREA NUMBER	OUTFALL STATION	AREA	OUTFALL TREATMENT
		CHANNEL FLOW ACRE	
D1	SALT CREEK	0.67	SILT DIKE & SILT FENCE
D2	SALT CREEK	0.68	SILT DIKE & SILT FENCE
D3	SALT CREEK	0.74	SILT DIKE & SILT FENCE
D4	SALT CREEK	0.74	SILT DIKE & SILT FENCE
TOTALS =		2.83	

DESIGN	MZV	12/15
DRAWN	CRC	12/15
CHECKED	JRW	12/15
APPROVED	JRW	12/15
SQUAD		

OKLAHOMA DEPARTMENT OF TRANSPORTATION
GUY ENGINEERING SERVICES, INC.

EROSION CONTROL

STATE JOB NO. 28857(04) SHEET NO. R004

NOWATA COUNTY SH-28 OVER SALT CREEK